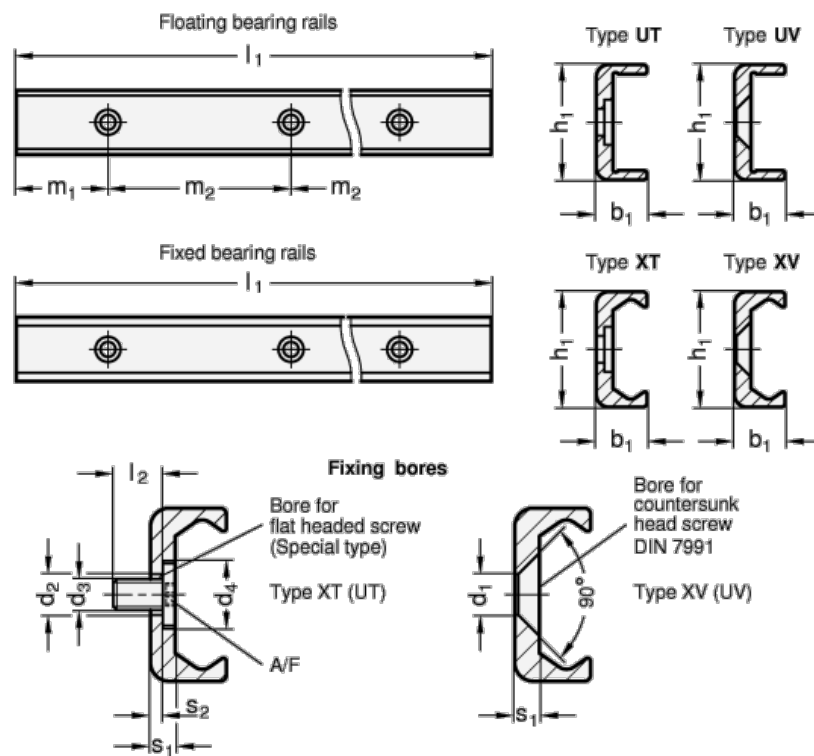


Article number: 20242243200040UV

Description: E+G Compact Profile GN 2422-43-2000-40

## Measures



|           |                      |   |
|-----------|----------------------|---|
| A/F =     | L2 =                 | = |
| b1 = 21   | m1 = 40              | = |
| d1 = 8.5  | m2 = 80              | = |
| d2 =      | s1 = 4.5             | = |
| d3 =      | s2 =                 | = |
| d4 =      | Weight in (g) = 4500 | = |
| h1 = 43   |                      |   |
| L1 = 2000 |                      |   |